

# GRINDMASTER

## Beverage Dispensing System Hot water dispenser 56.8 L, stainless steel

ITEM # \_\_\_\_\_

MODEL # \_\_\_\_\_

NAME # \_\_\_\_\_

SIS # \_\_\_\_\_

AIA # \_\_\_\_\_



600647 (ME15ENCE)

Hot water dispenser, 56.8 lt,  
stainless steel, 1 PH

600829 (ME15EN3PHCE)

Hot water dispenser, 56.8 lt,  
stainless steel, 3 PH

### Short Form Specification

Item No. \_\_\_\_\_

Hot water dispenser, 56.8 l, stainless steel. Electronic solid state water level control for automatic refill. Precision multi-setting thermostat with hold setting. Dial thermometer for exact temperature reading. "No Drip" faucet with sight glass and water shut off. Constructed entirely in 304 AISI stainless steel.

APPROVAL: \_\_\_\_\_

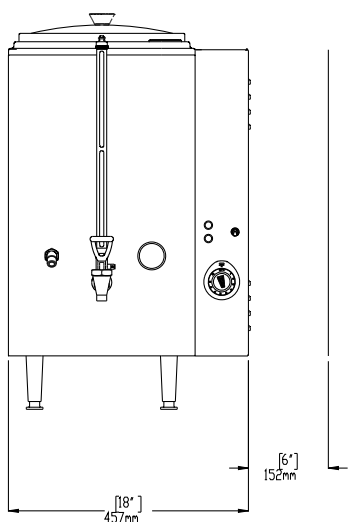
GRINDMASTER

Beverage Dispensing System  
Hot water dispenser 56.8 L, stainless steel

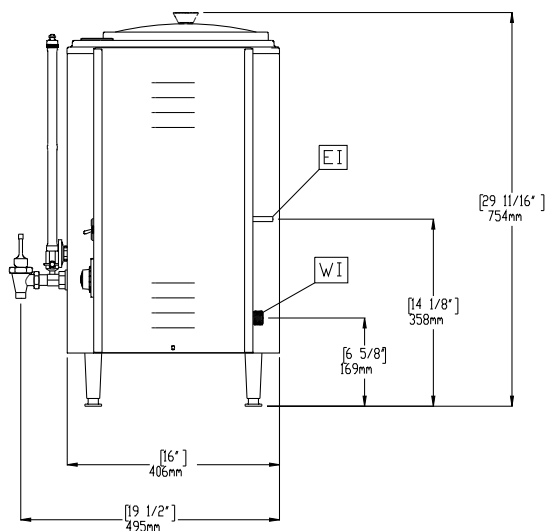
# GRINDMASTER

## Beverage Dispensing System Hot water dispenser 56.8 L, stainless steel

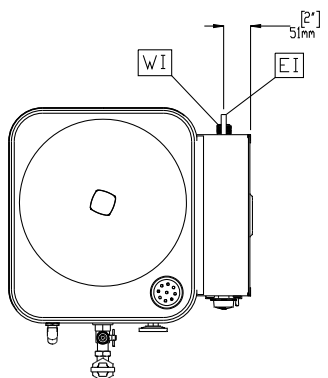
**Front**



**Side**



**Top**



### Electric

**Supply voltage:**

600647 (ME15ENCE)	230 V/1 ph/50 Hz
600829 (ME15EN3PHCE)	400 V/3 ph/50 Hz

**Electrical power max.:**

600647 (ME15ENCE)	2.7 kW
600829 (ME15EN3PHCE)	7.9 kW

### Key Information:

<b>External dimensions, Width:</b>	457 mm
<b>External dimensions, Depth:</b>	508 mm
<b>External dimensions, Height:</b>	787 mm
<b>Net weight:</b>	21 kg
<b>Shipping weight:</b>	
600647 (ME15ENCE)	29 kg
600829 (ME15EN3PHCE)	30 kg
<b>Shipping height:</b>	790 mm
<b>Shipping width:</b>	660 mm
<b>Shipping depth:</b>	580 mm



**Beverage Dispensing System  
Hot water dispenser 56.8 L, stainless steel**

The company reserves the right to make modifications to the products without prior notice. All information correct at time of printing.

2023.03.09